



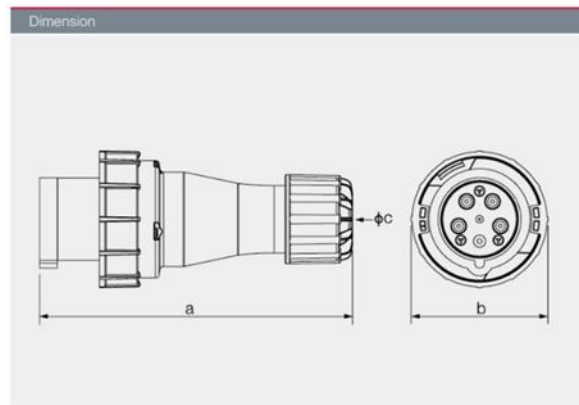
**Product Code**

**VP31052**



**63A 3P +E Industrial Plug IP67**

|   |
|---|
| ★ Rated current: 63A  |
| ★ Rated voltage: 380-415V   |
| ★ No. of poles: 3P+E  |
| ★ Protection degree: IP67   |
| ★ Housing material: Flame Retardant PA6 RoHS Reach<br>Contact: nickel-plated brass RoHS Reach |
| ★ Standards: IEC60309-1, IEC60309-2   |
| ★ Certificates: S,CB,CE,TUV,ISO9001:2008,RoHS,REACH   |



| Current                      | 63A   |       |       | 125A  |     |     |
|------------------------------|-------|-------|-------|-------|-----|-----|
| Pole                         | 3     | 4     | 5     | 3     | 4   | 5   |
| a                            | 260   | 260   | 260   | 301   | 301 | 301 |
| b                            | 113.5 | 113.5 | 113.5 | 126   | 126 | 126 |
| c                            | 32    | 32    | 32    | 45    | 45  | 45  |
| Cable size(mm <sup>2</sup> ) | 6-16  |       |       | 16-50 |     |     |

